

PRODUCT DATA SHEET

CRANE CONTROLS WITH EMERGENCY BUTTON



DESCRIPTION

Crane control box is compact and ergonomic design and 1 Quick push button.
Depending on the single speed control system model.
Mechanical locking for security reasons.

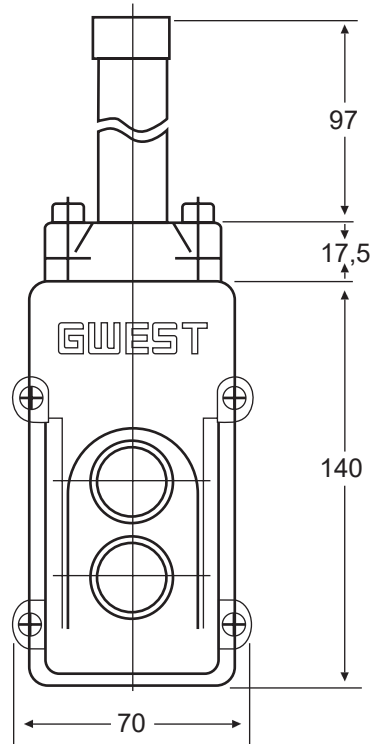
FEATURES

- Made of robust and high-impact thermoplastic.
- Ensures a long service life.
- 100g shockproof.
- Safe and reliable, comfortable to use and can be used with one hand.

PRODUCT DATA SHEET

CRANE CONTROLS WITH EMERGENCY BUTTON

SECTIONS AND DIMENSIONS



| PRODUCT CODE | DESCRIPTION |
|--------------|-----------------------------------|
| VKB - 3 | Crane Control 3 Hole Single Speed |